



H A Harman International Company

C 900^M

EMOTION | TriPOWER Series Cardioid Condenser

Description

The AKG Model C 900^M is a rugged condenser cardioid microphone intended for on-stage vocal and instrument pickup. Its extremely uniform polar pattern assures immunity to feedback and that helps make the C 900^M ideal for use with in-ear monitoring systems. Due to its newly-patented backplate design, the C 900^M maintains very uniform frequency response. If needed, the snap-on PB 1000 presence boost adapter adds 3 to 4 dB of response above 5 kHz for increased presence. The microphone's capsule has been carefully shock mounted for low handling noise, and the dent-resistant spring steel grille is durable and easily removable for cleaning. The C 900^M also has a modular output system, which allows the microphone to be equipped with a standard module, or used with the AKG TM 40 to function as a UHF wireless system.

The light-weight body is die-cast zinc alloy and has a soft touch paint finish for comfortable, secure handling and to minimize reflection and glare. A gold trim ring enhances the microphone's appearance. The microphone includes an SA 61 stand adapter, PB1000 presence boost adapter and nylon carrying bag.

Specifications

Transducer type:	Pre-polarized backplate condenser
Frequency response:	20 - 20 kHz
Polar pattern:	Cardioid
Power requirements:	9 - 52 Vdc
Impedance:	200 ohms
Recommended load impedance:	>2000 ohms
Output connector:	Gold plated XLR-M
Sensitivity:	6 mV/Pa; -45 dB (re 1 V/Pa)
Sound pressure level for 1% (3%) THD:	139 dB SPL (142 dB SPL)
Equivalent noise level:	17.5 dB-A to DIN 45412
Dynamic range:	121.5 dB
Environmental operation:	
Temperature:	-10°C to +65°C
Maximum relative humidity at +20°C:	90%
Size:	Maximum diameter: 2.0 in. (50 mm) 7.1 in. length (180 mm)
Net weight:	10.4 oz. (295 g)
Shipping weight:	1.4 lb. (650 g)
Accessories included:	Carrying bag PB 1000 presence boost adapter SA 61 stand adapter
Optional accessories:	TM40 UHF transmitter module, AKG WMS 40 Series wireless receivers B15 phantom adaptor



Features

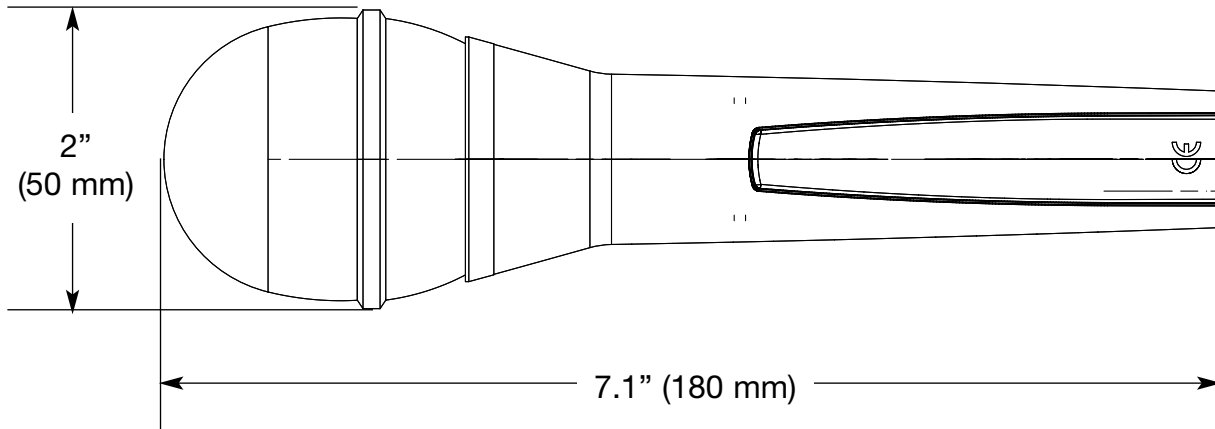
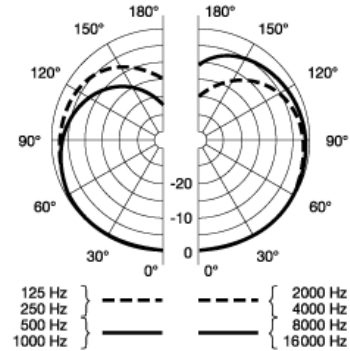
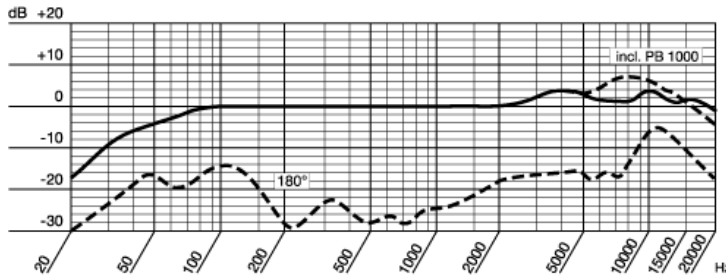
- Patented frequency-independent cardioid capsule for increased feedback immunity
- Interchangeable output connector module for switched or wireless operation
- Add-on presence boost adapter provides +3 to 4 dB boost above 5 kHz
- Ideal for use with in-the-ear monitoring systems
- Internal elastic suspension system for reduced handling noise
- Light-weight die cast metal body with soft-touch paint finish and gold trim ring
- Gold-plated capsule housing and XLR connector for added reliability and protection against corrosion

Architects and Engineers Specifications

The microphone shall be a backplate condenser type with a cardioid pickup pattern. Sensitivity shall be no less than 6 mV/Pa, and the maximum operating level for 1% THD shall be no less than 139 dB SPL. The maximum diameter of the microphone shall be no greater than 2 in. and the microphone length shall be no greater than 7.1 inches. Microphone net weight shall be no greater than 10.4 ounces. The microphone shall operate on phantom power over the range from 9 to 52 Vdc. The microphone shall provide

a mechanical adapter to be applied to the capsule and producing a 2 to 4 dB rise in response above 5 kHz. The microphone shall have a switchable modular output section that can be equipped without a switch, a module that incorporates a silent on/off switch, or with the AKG TM 40 UHF wireless module that is compatible with the WMS 40 wireless receiver models. The microphone shall be the AKG Acoustics Model C 900^M.

Graphical Data



Limited Warranty

AKG Acoustics warrants AKG products against defects in material or workmanship for a period of two years from the date of original purchase made on or after January 1, 2002, and agrees to repair or, at our option, replace any defective unit without charge for either parts or labor. AKG Acoustics grants a three-year warranty covering material and labor for the following condenser microphones purchased on or after July 1, 2003, including the C 12VR, C414B-ULS, C 414B-TLII, C 426B, Solidtube; C 4500B-BC; C 4000B; C 3000B; C 451B; C 2000B; C 1000S, the C 480B and the Ultra-Linear Series capsules (CK 61, CK 62, CK 63, CK 69), the SE 300B

and Blue Line capsules (CK 91, CK 92, CK 93, CK 94, CK 98). This warranty is valid for AKG products purchased within the United States for the original purchaser only. The purchaser's Bill of Sale will serve as proof of sales and warranty validity in the U.S. Shipment of defective items to AKG for repair will be at the customer's own risk and expense. AKG will assume the return shipping cost for all items repaired under warranty.

IMPORTANT: This warranty does not cover damage resulting from accident, misuse or abuse, lack of reasonable care, the affixing of any attachment not provided with the product, loss of parts, or connecting the product to any receptacle other than specified.

Microphones · Headphones · Wireless Microphones · Wireless Headphones · Headsets



H A Harman International Company

AKG Acoustics GmbH

Lemböckgasse 21-25, P.O.B. 158, A-1230
Vienna/AUSTRIA
Tel: (43 1) 86 654-0*, Fax: (43 1) 86 654-516
Internet: <http://www.akg.com>

AKG ACOUSTICS, U.S.

914 Airpark Center Drive
Nashville, TN 37217, U.S.A.
Tel: (615) 620-3800, Fax: (615) 620-3875
Internet: <http://www.akgusa.com>

Studer Japan Ltd.

2-43-7, Uehara, Shibuya-ku, Tokyo 151-0064/JAPAN
Tel: (813) 3465-2211, Fax: (813) 3465-2214

Erikson Pro Audio

620 McCaffrey, St-Laurent, Quebec, H4T 1N1, CANADA
Tel: (514) 738-3000, Fax: (514) 737-5069
Internet: www.jam-ind.com/eriksonpro

AKG is constantly improving and modifying its products, therefore, specifications are subject to change without notice.