

DX-404

4 Channel DMX Dimmer Pack

【USER MANUAL】



Lite-Puter Enterprise Co., Ltd.

WEBSITE: www.liteputer.com.tw

E-MAIL: sales@liteputer.com.tw

INDEX :

Chapter 1. : DX-404 INTRODUCTION

1-1	Feature.....	2
1-2	Specification	2
1-3	Front Panel, Rear Panel.....	3
1-4	Wiring.....	4

Chapter 2 : DX-404 INSTRUCTION

2-1	Standard DMX512 Signal.....	5
2-2	DMX start address setting.....	5
2-3	Dimming/Switching setting.....	5
2-4	Warm up setting (0...6%).....	6
2-5	Channel output status preview.....	6
2-6	Switching.....	6
2-7	DMX status & DMX address	6

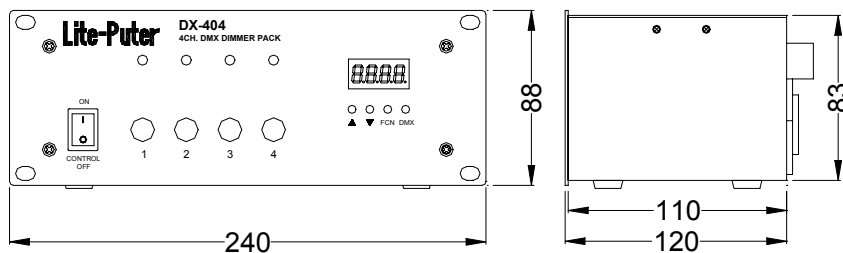
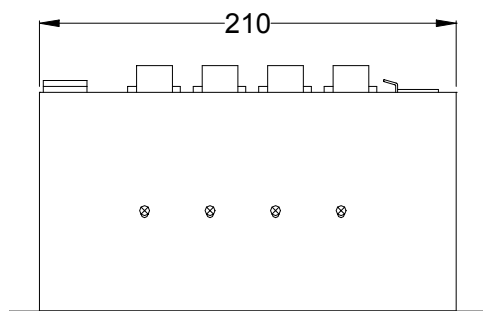
Chapter 1. DX-404 Introduction

1-1 Feature

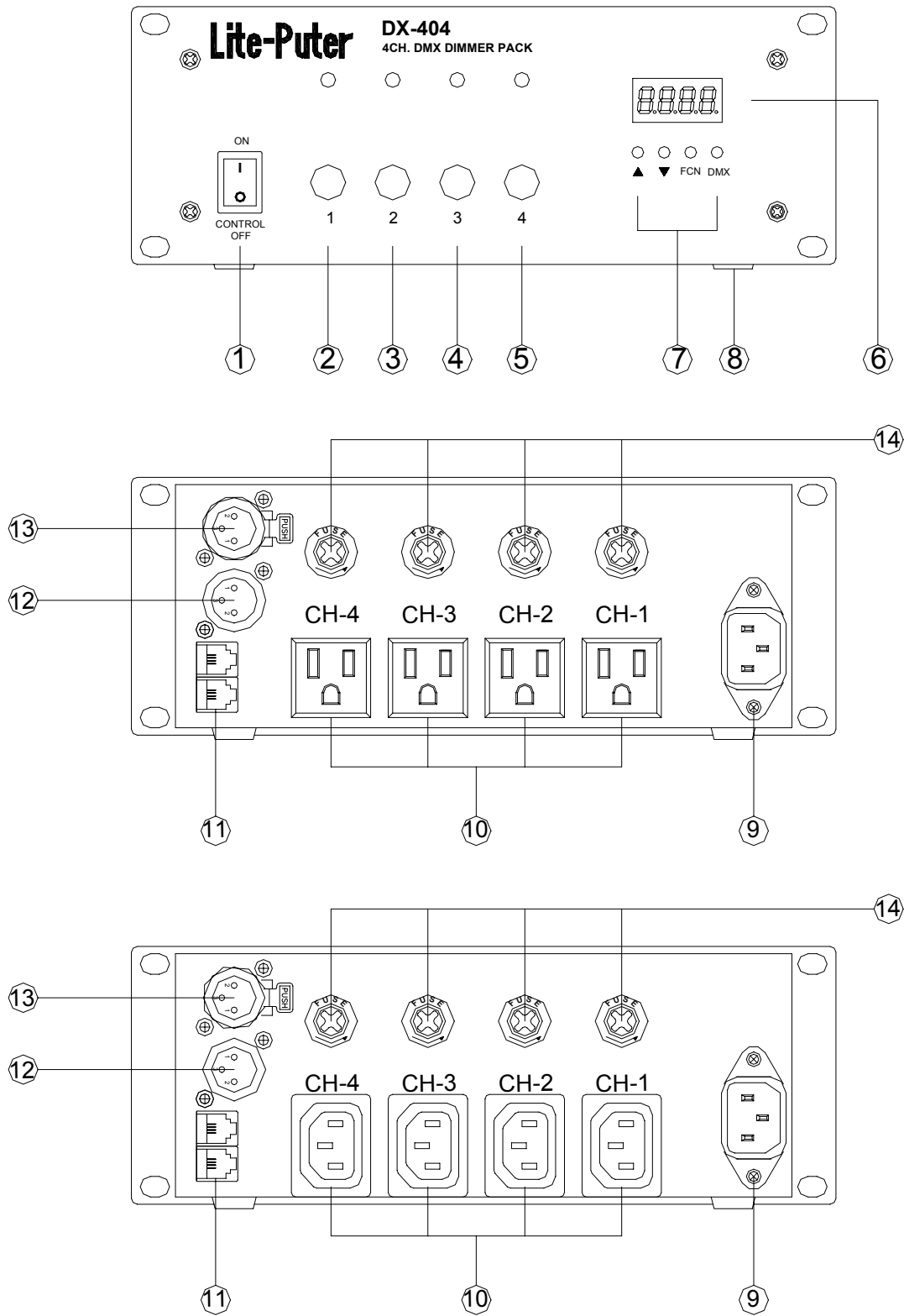
- Maximum 5A per channel, total 15A!
- DMX 512 signal.
- Most advanced 'C3' dimming curve.
- 256 steps resolution.
- DMX start address setting.
- Channel output status preview
- Auto frequency tracking.
- Warm up setting 0---6%
- Automatic warm up function, protects loads and extend the life of bulbs.

1-2 Specification

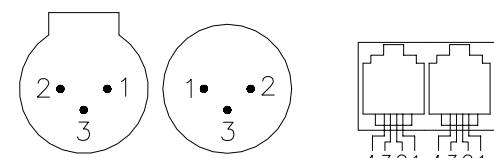
- | | |
|------------------------|--|
| ■ Power | AC 100-120V, AC 200-240V, 45-63Hz, 2 input |
| ■ Output | Maximum 5A per channel, total 15A. |
| ■ Signal input/ output | DMX512/ 1990 |
| ■ Signal connector | XLR 3Pin, 6P4C, RJ11 telephone jack |
| ■ Location | TRUSS hanging or desktop operation. |
| ■ Weight | 1.2 Kg |
| ■ Dimension | unit: mm |



1-3 Front Panel, Rear Panel



Front Panel introduction	
1.	Power switch
2.	CH. 1
3.	CH. 2
4.	CH. 3
5.	CH. 4
6.	LED display
7.	Function key
8.	Pad
Rear Panel introduction	
9.	AC power input 15A
10.	America socket: CH-1...CH-4, AC 100-120V EEC socket: CH-1...CH-4, AC 200-240V
11.	DMX signal input (6P4C Phone jack)
12.	DMX signal input (3 PIN cannon plug)
13.	DMX signal output (3 PIN cannon plug)
14.	Trip type circuit breaker, 8A MAX



1:GND
2:Data-
3:Data+

1:V+12V
2:Data+
3:Data-
4:GND

1-4 Wiring

CAUTION:

The wire & connectors used must follow the local government and other applicable rules and electrical regulations!

12 AWG : 20A

14 AWG : 15A

16 AWG : 13A

18 AWG : 10A

Chapter 2. DX-404 Instruction

2-1 Standard DMX512 Signal



This point flashing when receiving DMX

2-2 DMX start address setting

STEP-1 Holding **[DMX]** , press **[▲]** or **[▼]** to find the start address.



[▲] : move 1 number forward : up to **Channel 512**



[▼] : move 1 number backward :down to **Channel 1**

DX-404 is a 4 channel dimmer pack so when setting this unit:

- [1]** as d.001, the output is from Channel 1→ Channel 4.
- [2]** as d.005, the output is from Channel 5→ Channel 8.
- [3]** It is allowed for setting more than 1 piece of **DX-404** at the same start address.

2-3 Dimming / Switching Setting

STEP-1 press **[DMX]** key into DMX status

STEP-2 press and hold the **[FCN]** key for 3 sec



Default setting : all channel are dimming mode

STEP-3 press **[FCN]** key to select channel

STEP-4 press **[▲]** or **[▼]** to select dimming mode or switching mode



(dimming)



(Switching)

2-4 warm up setting (0...6%)

STEP-1 press **【FCN】** key



STEP-2 press **【FCN】** key to select the setting channel, EX : select channel 1

STEP-3 press **【▲】** , **【▼】** key to adjust



Channel 1 set on 6% for warm up

2-5 Channel output status preview

STEP-1 Enter to DMX status and press **【DMX】** key

STEP-2 press **【▲】** or **【▼】** to preview



2-6 Switching

STEP-1 select the channel and press blue key **【CH-1】** ~ **【CH-4】** to switching

2-7 DMX status & DMX address

a.press **【DMX】** to DMX status

b.10 minutes unused of unit, the DMX will activate to DMX status